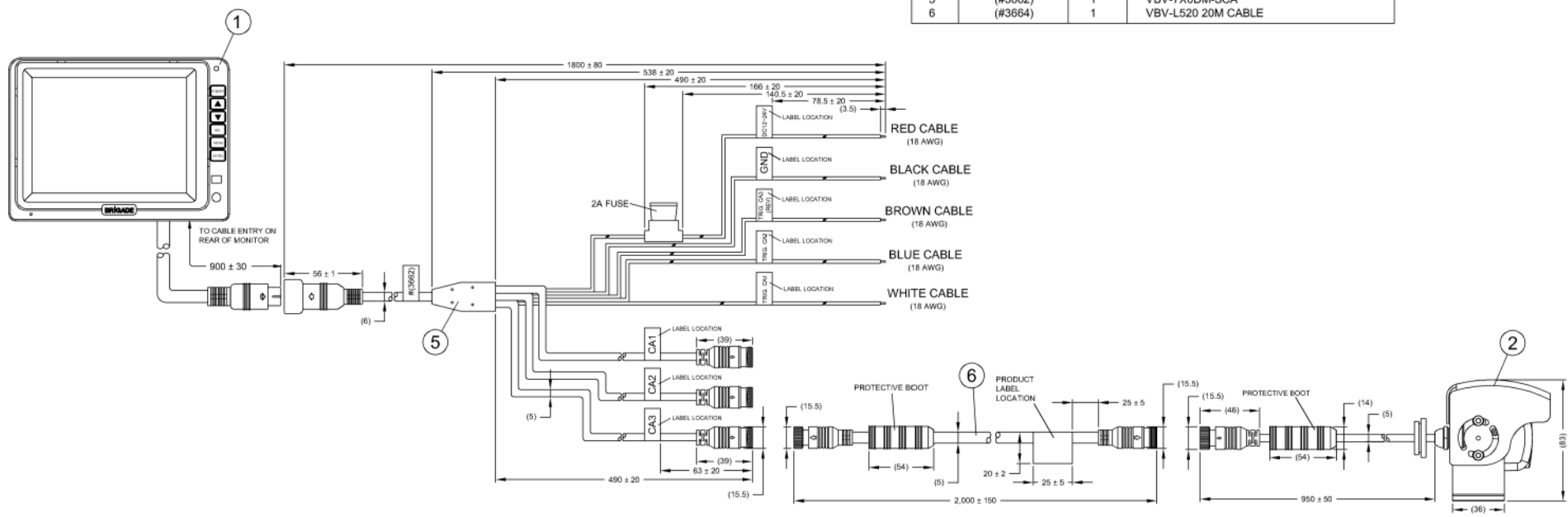


ITEM	STOCK CODE	QTY	DESCRIPTION
1	(#3281)	1	VBV-750DM M MONITOR
2	(#2808)	1	VBV-710C
3	(#3180)	1	VBV-750DM-SS SUNSHIELD (NOT SHOWN)
4	(#3148A)	1	BMM-015 (NOT SHOWN)
5	(#3662)	1	VBV-7X0DM-SCA
6	(#3664)	1	VBV-L520 20M CABLE



NOTES:  
 DIMENSIONS IN MM.  
 REFER TO COMPONENT DRAWINGS FOR COMPONENT DETAIL.  
 REFER TO COMPONENT PRODUCT SPEC FOR PRODUCT SPECIFICATIONS.

PROPRIETARY NOTICE  
 THIS DESIGN AND TECHNICAL INFORMATION APPEARING ON THIS DRAWING IS THE PROPERTY OF BRIGADE ELECTRONICS PLC, AND IS DISCLOSED IN CONFIDENCE. IT IS NOT TO BE COPIED, REPRODUCED, REVEALED TO OR APPROPRIATE BY OTHERS, EITHER IN WHOLE OR IN PART WITHOUT THE EXPRESS WRITTEN CONSENT OF BRIGADE ELECTRONICS PLC.

Itemref	Quantity	Title/Name, designation, material, dimension etc	Article No./Reference
Designed by J.NEWMAN	Checked by M.BUTLER	Approved by - date D.KERAI	Date 25/03/2011
<b>BRIGADE ELECTRONICS</b>			<b>VBV-750D-100 (#3705)</b>
BE-001506-00-11			Edition A
			Sheet 1/1